



IR Sensor



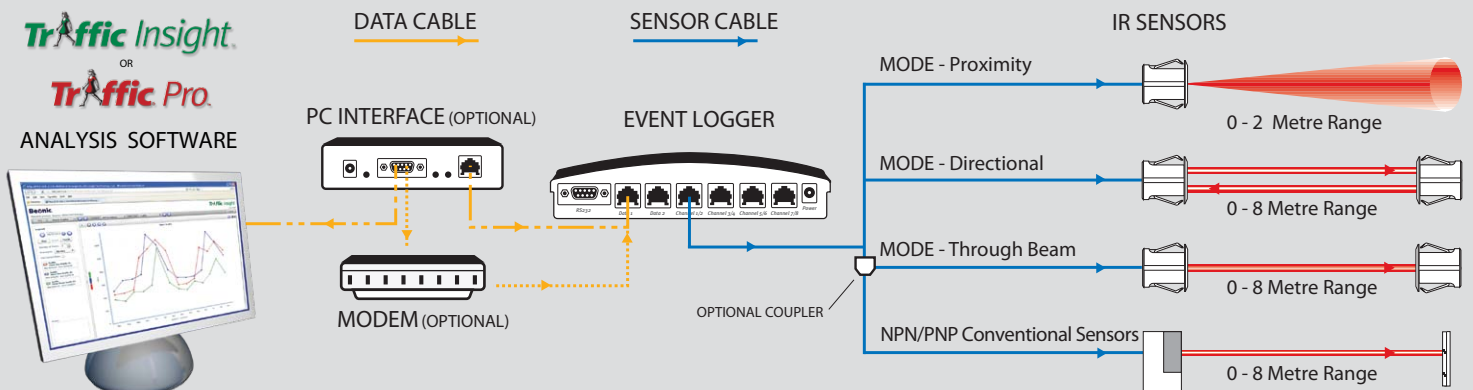
Beonic IR Sensors are custom designed, state-of-the-art infra-red sensors.

The sensors are high speed, compact devices of robust construction, reliable and are easily installed. They are inconspicuous and suitable for most types of door frames and walls.

Beonic IR Sensors utilise the Beonic Event Logger to supply power, in addition to collating it's traffic counts and as a configuration interface.

Beonic IR Sensors feature three-in-one sensing modes - Proximity, Directional and Though Beam - all from the one sensor.

Where do the IR Sensors fit?

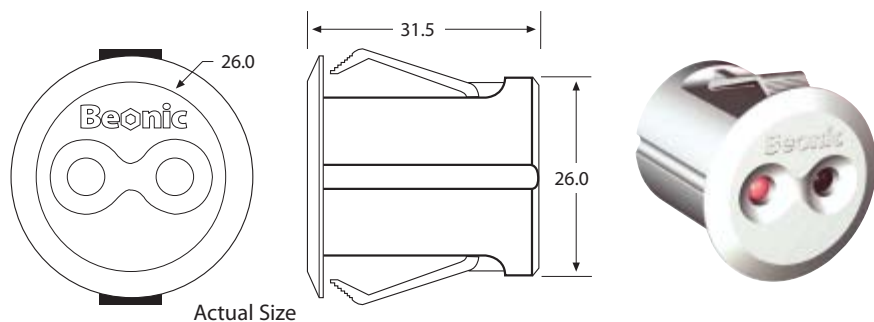


Freecall 1800 246 860

www.beonic.com

Specifications IR Sensor

Operating Modes	Through Beam, Directional, and Proximity
Power	Supplied by Event Logger
Current	≤ 70 mA ±10%
Light	Infra-Red (safer than class 1)
Switching Frequency	700 Hz
Enclosure Rating	IP67 (Waterproof)
Circuit Protections	Reverse-polarity, Over-current
Operating Temperature	0° to +55° C (Indoor)
Weight	20g
Cable Length	2.5 metres
Options	<ul style="list-style-type: none"> Extra Large Face Plate Dual Coupler



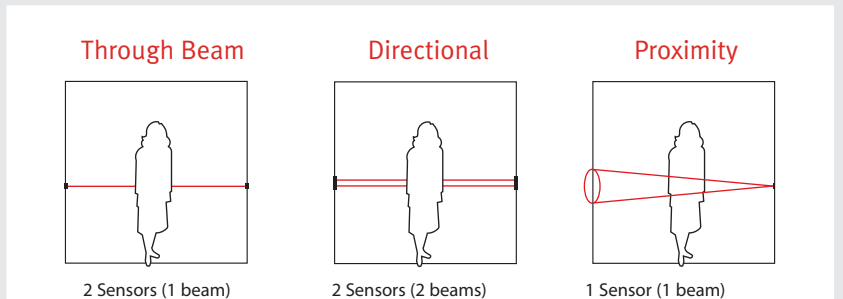
Dimensions

Internal Width	26.0mm
Internal Depth	31.5mm
Face Depth	2.0mm

Colours

Grey	
Cream	
Black	
White	

IR Sensor Modes



The Beonic IR Sensor is capable of 3 modes of operation simply by switching the functionality on the Beonic Event Logger Menu.

Why choose Beonic IR Sensors?

- Small in size
- Easily installed
- Unobtrusive
- Suitable for most door frames and walls
- Economical

Beonic IR Sensor Applications

- Determine traffic volume into and around shopping centres, retail outlets, public space and venues
- Count traffic IN and OUT each door
- Record traffic inside an areas proximity
- Count vehicular traffic into a car park

Beonic IR Sensor Configurations

- Bi-directional - two sensors aligned opposite each other to count people or objects moving IN or OUT (Maximum range - up to 8 metres)
- Through Beam - two sensors aligned opposite each other to count people or objects passing that position (Maximum range - up to 8 metres)
- Proximity - one sensor pointing into open space or across a pathway to count people or objects passing that position (Maximum range - up to 2 metres)

Available from:

PEOPLE COUNTING SYSTEMS

Gary McDougall

info@peoplecountingsystems.com.au

Mob: 0487 946 622